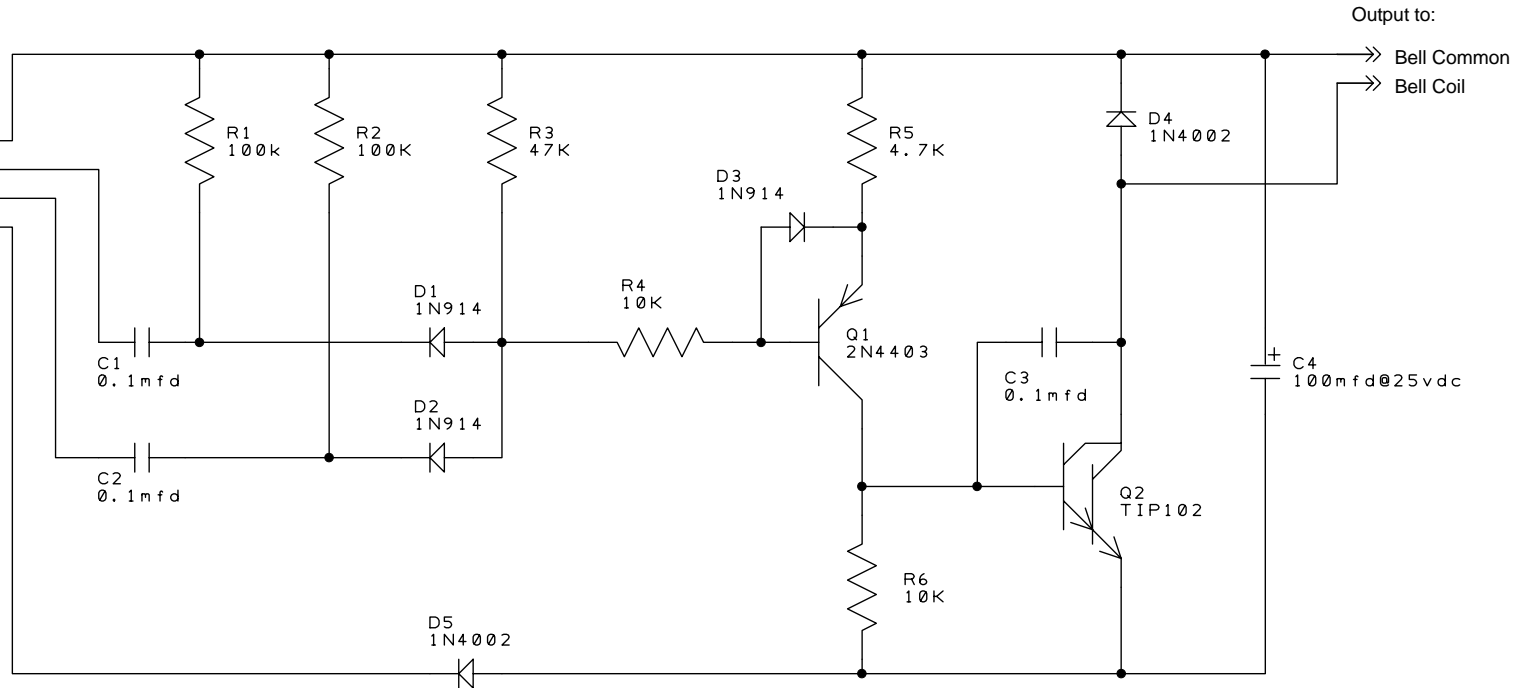


American Flyer bell ringer circuit

Connections from Dallee Electronics, Inc.
Flasher-DT (549) or
Grade Crossing w/bell sound (587)

Common
Lamp1
Lamp2
Gate

Also need to connect
Common, Lamp1, Lamp2, to
Grade Crossing Flashers



Output to:
Bell Common
Bell Coil

copies may be made w/o alterations or deletions
parts may also be purchased from
Dallee Electronics, Inc.

Dallee Electronics, Inc.
246 W. Main St.
Leola, PA 17540

www.dallee.com
info@dallee.com
717-661-7041