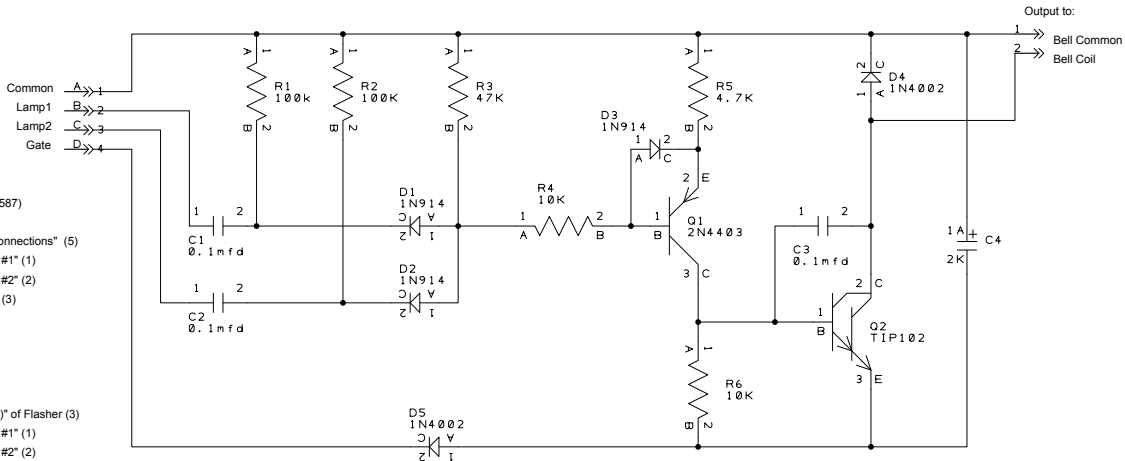


## American Flyer bell ringer circuit v2



### Wiring for:

Grade Crossing w/bell sound (587)

#### Connect:

- Common to "Common Connections" (5)
- Lamp1 to Flasher "Lamp #1" (1)
- Lamp2 to Flasher "Lamp #2" (2)
- Gate to "Crossing Gate" (3)
- C4 = 100mfd @25

### Crossing Flasher (367)

#### Connect:

- Common to "Common (+)" of Flasher (3)
- Lamp1 to Flasher "Lamp #1" (1)
- Lamp2 to Flasher "Lamp #2" (2)
- Gate to "Inupt" of Flasher (4)
- C4 = 1000mfd @25