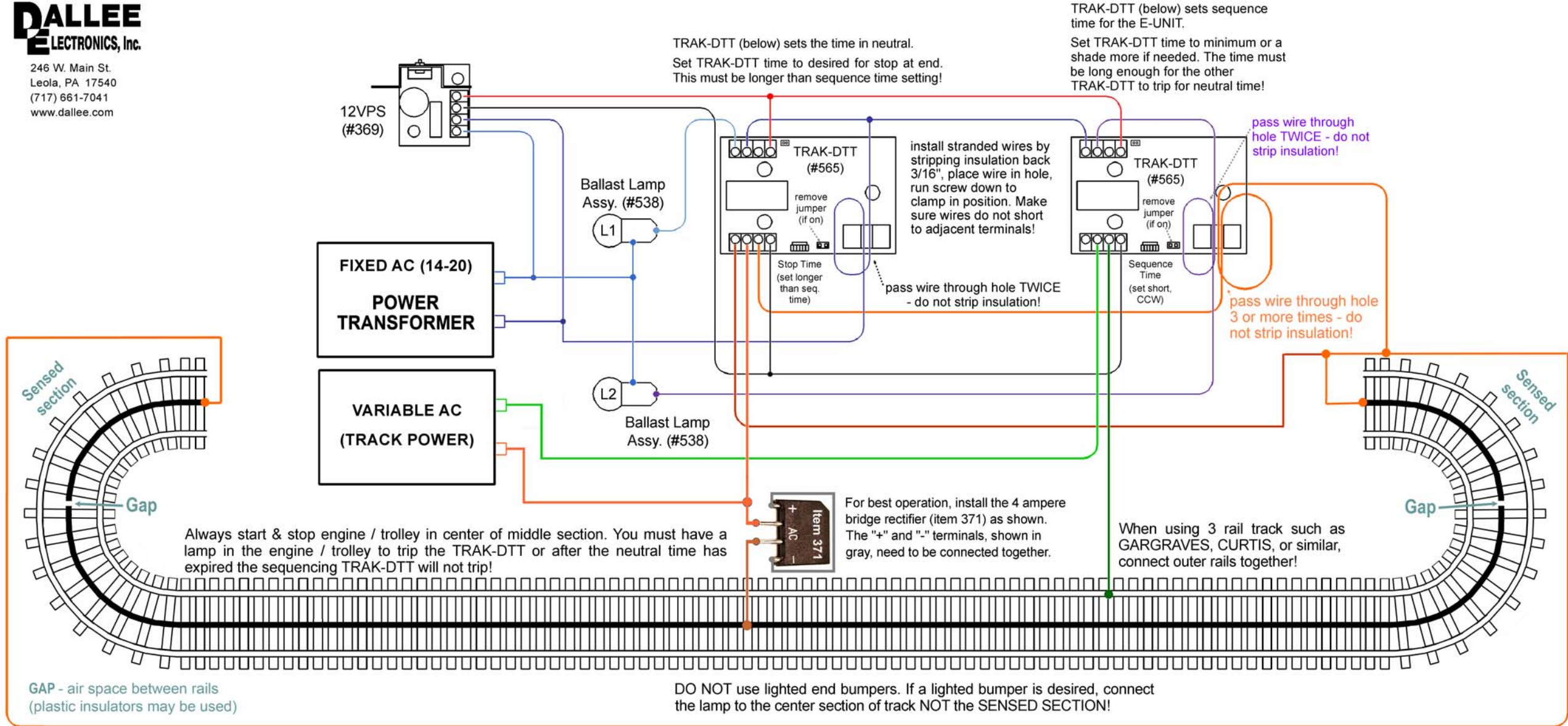


Automatic BACK-N-FORTH using AC track power with "E-UNIT" sequencer (3 position F/N/R/N)



246 W. Main St.
Leola, PA 17540
(717) 661-7041
www.dallee.com



Recommended minimum distance between rail gap's is 7 feet. There is no maximum limitation. If running with cars, the last one needs to be illuminated to be sensed. The end sections from "GAP" to the end need to be at least 2 feet. It is also recommended to use end stops (not illuminated bumpers) in case the E-UNIT does not sequence properly. You may also wish to use "DEAD" track for over runs instead of bumpers. If you want lit bumpers, you can do so as long as you do not connect the center rail to the "SENSED SECTION" power feed (located at each end section) instead, connect it to the center section power feed leaving a gap in the center rail to each shown end "SENSED SECTION".