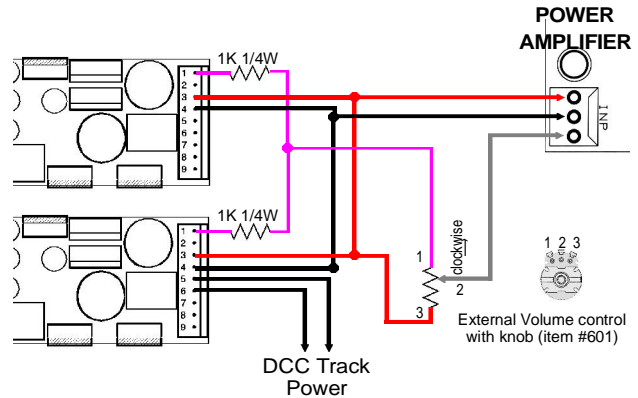
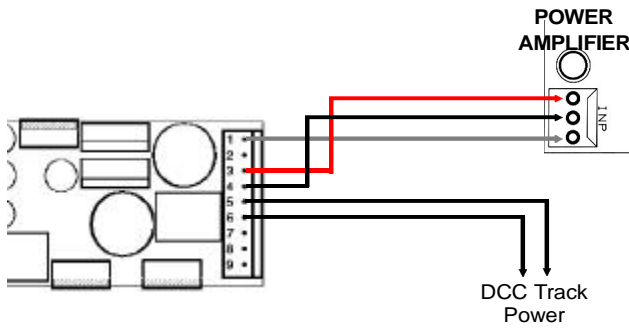


Using 11 or 22 Watt Amplifier with DCC systems and Dallee Electronics Sound Systems.



When using a single Dallee Sound system, wire the DCC track power as shown (pins 5 & 6). Wire the DC output terminals (pins 3 & 4) to the amplifier. Do NOT get the polarity reversed to the amplifier! That would destroy it and is not covered under any warranty!

All functions and motor inputs get wired as before, shown in the sound systems instructions.

When using dual Dallee Sound systems, wire the DCC track power as shown to the first system (pins 5 & 6). Wire the DC output terminals (pins 3 & 4) to the amplifier and second sound system. Do NOT get the polarity reversed to the amplifier or the second sound system! That would destroy them and is not covered under any warranty!

All functions and motor inputs get wired as before, shown in the sound systems instructions.

Using 11 or 22 Watt Amplifier with DCC systems and SoundTraxx DSX series Sound System.

