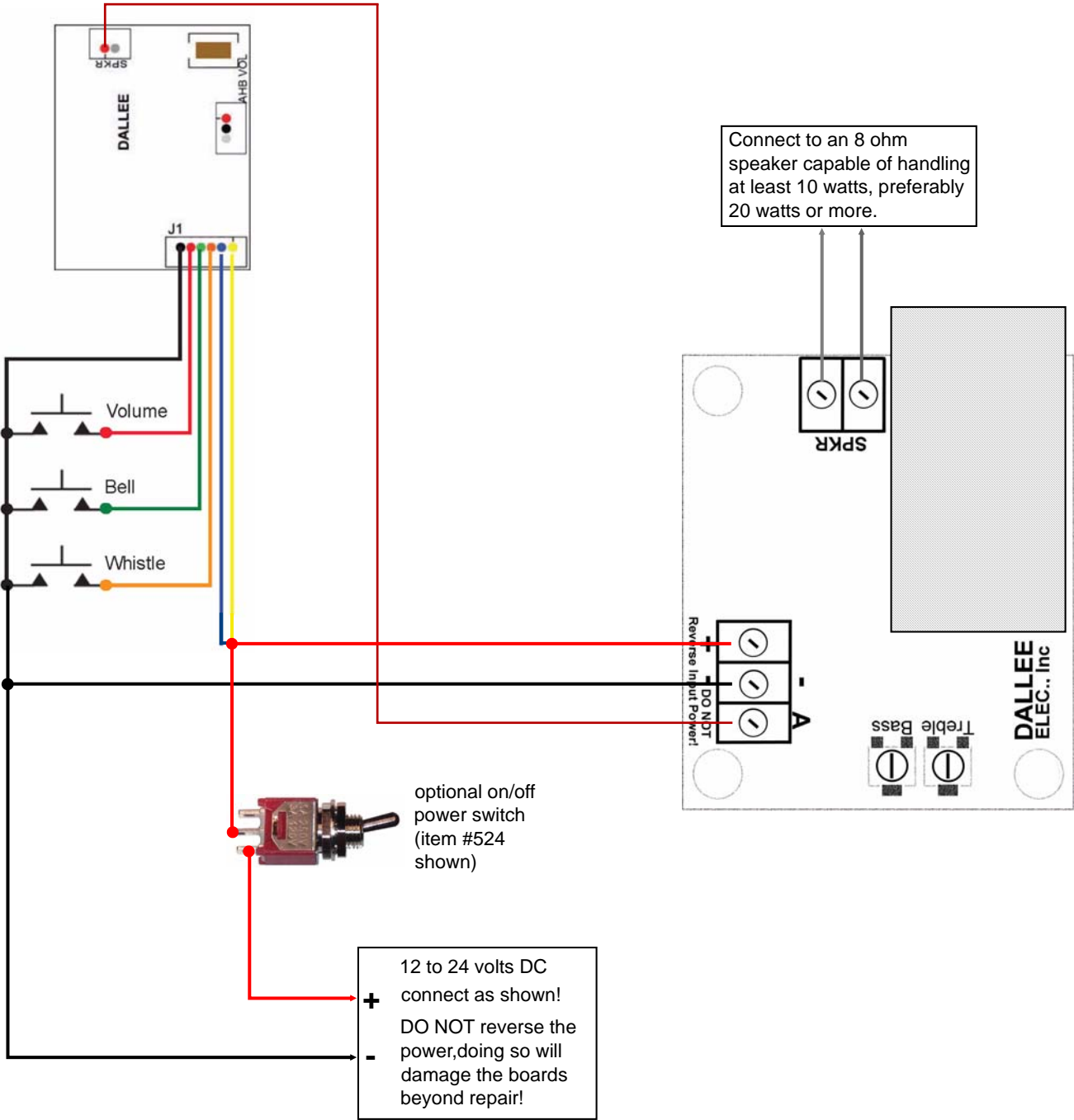


Adding a 22 watt amplifier to a HiLine™ STAMP sound card when operating with a fixed DC power source.



Connect to an 8 ohm speaker capable of handling at least 10 watts, preferably 20 watts or more.

optional on/off power switch (item #524 shown)

12 to 24 volts DC connect as shown!
 +
 -
 DO NOT reverse the power, doing so will damage the boards beyond repair!