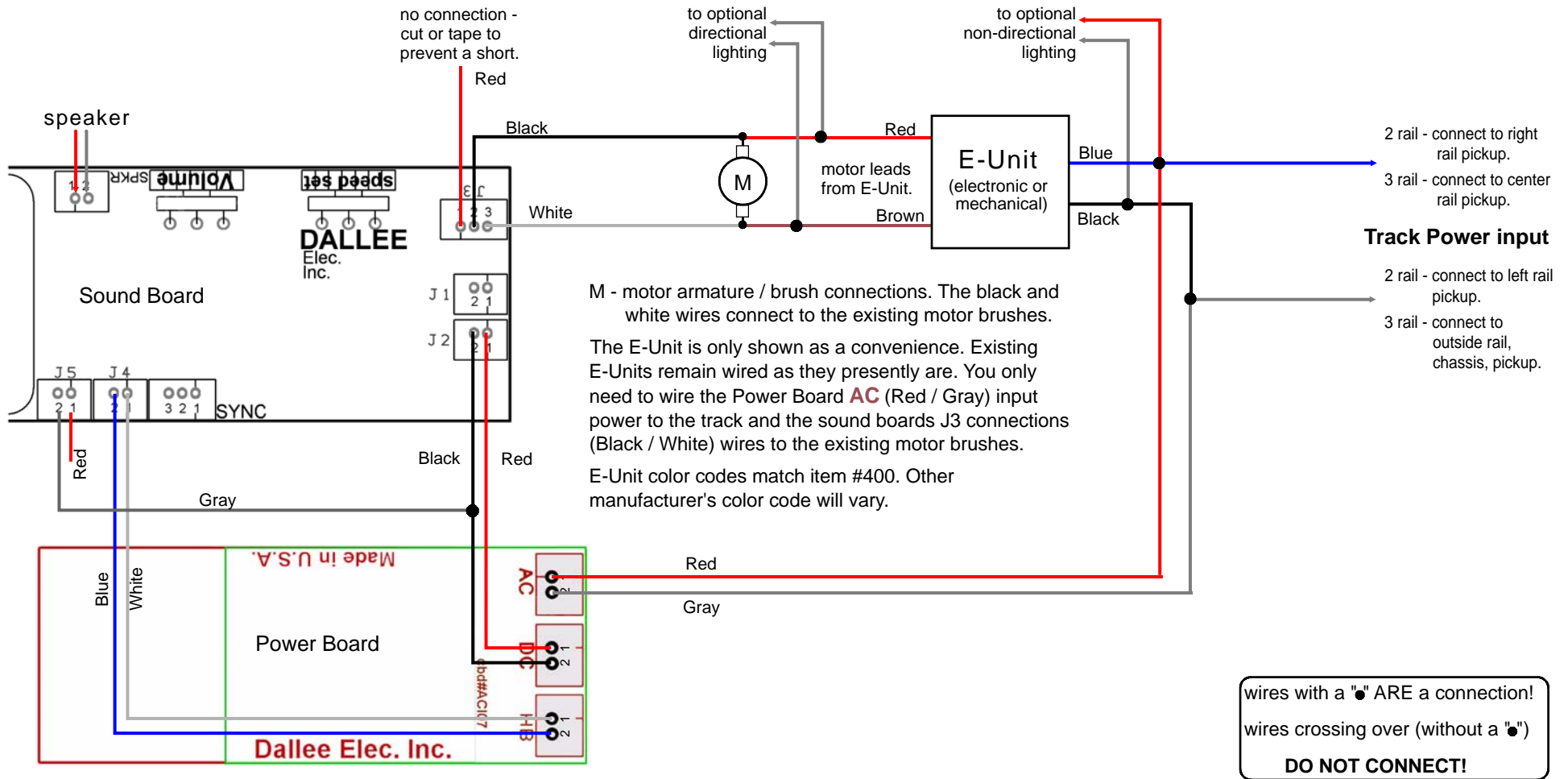


AC track power installation using standard Horn/Bell operation with NO MOTOR SOUND.



Connecting J5 pin 2 (Gray) to J2 pin 2 (Black) turns off the prime mover sounds and allows for only the Horn/Whistle and Bell to play. Item 222 (2 pin wire harness) is required to do this connection. J5 pin 1 (Red) is not connected.