

# Remote Volume Control

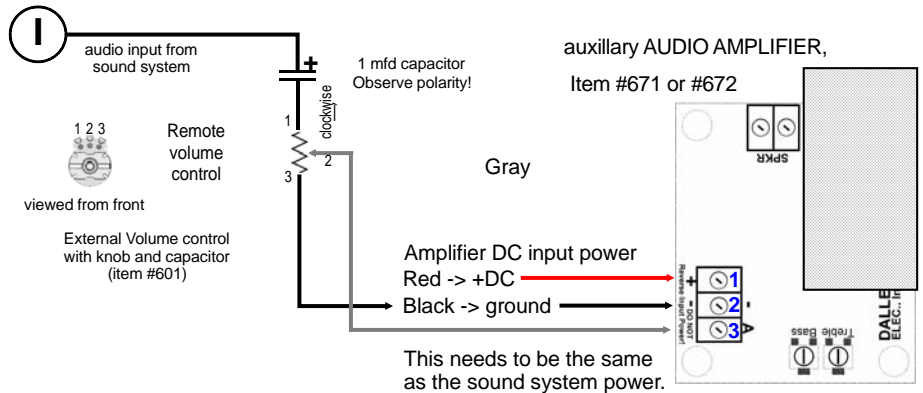
Item #601

for use with Dallee DC Sound Systems, version 3, as a remote volume control with our 11 watt (item 671) or 22 watt (item 672) amplifier and other applications.

## adding remote volume control when using an Auxillary Amplifier

With single sound systems, connect the gray wire from the speaker output to input "I". Connect the rest as shown.

If using two sound systems, connect the junction of the two sound systems (after the resistors) to the input "I".



# Manual Speed/Rate Control

Item #602

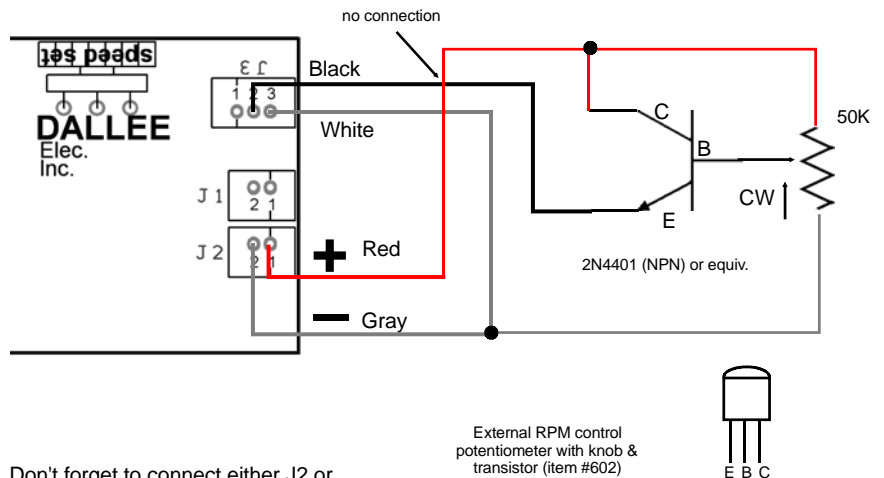
for use with Dallee DC Sound Systems, version 3, as a manual speed/rate control.

For stationary use and other applications.

### Instructins:

Connect input power, speaker, and all other connections as shown in the sound unit's instructions for "stationary or other types of installations" except no input connections should be applied to the DC motor/track input header (J3) pins 2, or 3. Instead, connections should be done as shown. All other input power, speaker, switch connections should be done as before.

Basic setup for both types of operation: Set NOTCH CONTROL (speed set) on the sound board to full CCW.



Don't forget to connect either J2 or J1 to the appropriate power supply.