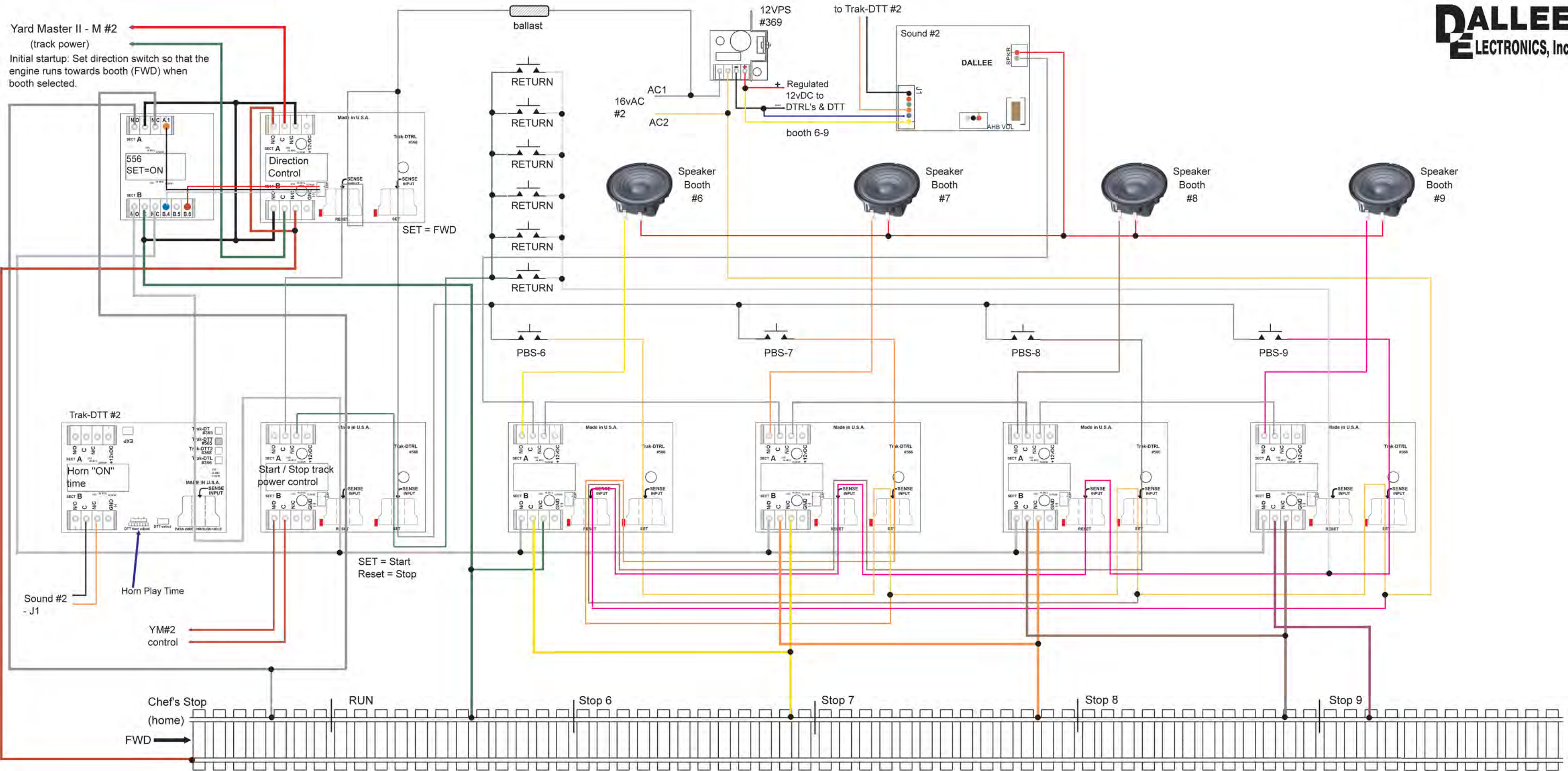


Yard Master II - M #2  
(track power)  
Initial startup: Set direction switch so that the engine runs towards booth (FWD) when booth selected.



SET = Start  
Reset = Stop

Chef's Stop  
(home)

RUN

Stop 6

Stop 7

Stop 8

Stop 9

FWD →