

HiLine™ Stamp Horns & Bells

Item #1570

Select from 10 Horn's and 3 Bell's to play. Operates from conventional AC track power W/B controllers, radio receiver's operating from DC or Battery Power, DC track power with optional reed switch activations (req item #1589), and DCC decoders! Can be used as a stationary unit with switches for activation of sounds as well.

On board switch for selection of sound types used and volume control. Also remotable!

Horns: Leslie A-200, Leslie S-3, Leslie S-3K, Leslie S-5, Leslie S-5T, Nathan K-3, Nathan K-5L, Nathan P-5, Wabco E-2, Hancock Air Whistle

Input voltage: AC 7-18 volts, DC 9-22 volts. Higher voltages generate high temperatures. The volume is automatically reduced when high input voltage and sound is produced for long times to keep the unit cooler. It will automatically reset after a slight cooling off time. The unit should be used clear of low temperature items when used with higher input voltages.



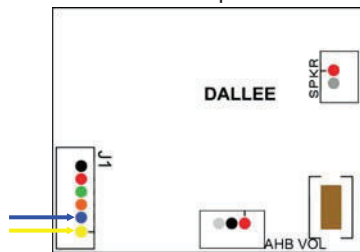
246 W. Main St.
Leola, PA 17540
(717) 661-7041
www.dallee.com

After leaving the "select" operation, the "VOL" switch turns back into a volume control. To increase the volume desired, merely hold down the "VOL" switch and release when obtained. To reduce the volume, just press the "VOL" switch again and the the volume will start to decrease. Depress again and it will increase. These settings will be stored for the next time the sound unit is powered up.

AC Installation with conventional Horn/Bell operation:

3 Rail:
Yellow - center roller
Blue - chassis

2 Rail:
Yellow - left rail
Blue - right rail



No other connections required.

Optional remote select/volume (VOL): Connect momentary switch, item #1590, from J1 Black to J1 Red.

Installation: PC board - find a nice clean location to mount the unit allowing for adequate ventilation. Remove the tape backing and put in place. Make sure no shorts exist to the board or it's components!

"SPKR" connects to an 8 ohm or higher speaker. Do not short wires to anything else since this will burn out the amplifier.

For all other items, follow the appropriate page for the "J1", main input connector, and AHB connections.

Selecting sounds desired:

All HiLine™ Sound Systems come with a "select" menu. This operated via the VOL switch upon powering the sound unit up. During the first 10 seconds you can enter the selection menu by holding down the "select/vol" switch until you hear a "BEEP". Upon that time you can release the switch. Each successive depression will proceed you to the next sound desired. In this case, the Bell can be selected. When you hear the Bell desired, merely hold the "VOL" switch until you hear a "BEEP", again, release the switch. When the last bell is played, you will hear silence, which is "bell off". The next press will take you back to the first bell available.

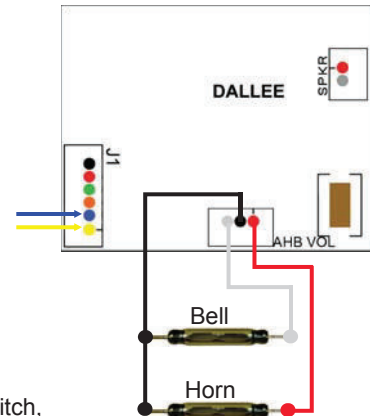
Then you will enter the Horn selections. Again, when the desired Horn is heard, merely hold down the "VOL" switch until you hear a "BEEP". The last horn available will be indicated by the next selection being mute. When the desired Bell and Horn have been selected, which are the one's that will play when the inputs are triggered, hold down the "VOL" switch until you hear another "BEEP". That will indicate that the settings have been saved and you have finished the "select" process.

DC Installation with Auto Horn / Bell triggers:

Power input:
Yellow - left rail
Blue - right rail

No other connections required.

Optional remote select/volume (VOL):
Connect momentary switch, item #1590, from J1 Black to J1 Red.

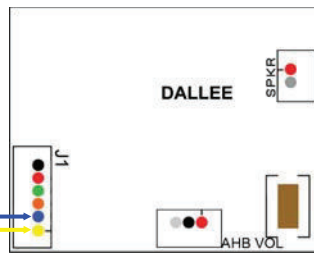


For Auto-Horn / Bell track magnet operation, use item #1589 with item #988 track side magnets.

Item #1589 contains two reed switches and 3 pin wire harness.

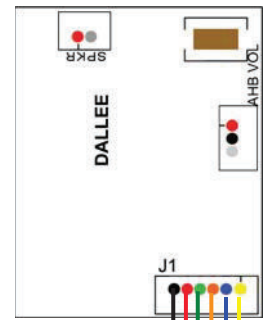
Radio Receiver Installation:

- Yellow - left rail or battery "-"
- Blue - right rail or battery "+"
- Orange - Horn control
- Green - Bell control
- Red - remote "select / volume" operation
- Black - electrical ground of unit



Stationary Installation:

- Yellow - AC / DC input power
- Blue - AC / DC input power
- Orange - Horn switch
- Green - Bell switch
- Red - remote "select / volume" switch, if desired.
- Black - electrical common, ground, of switches.



DCC Receiver Installation:

- Yellow - left rail track pickup
- Blue - right rail track pickup
- Orange - Horn function
- Green - Bell function
- Red - remote "select / volume" operation, connect to another function.
- Black - electrical ground of unit

Functions from decoder requires only open collector types pulling low for activation. Bell requires a momentary low for on and low again for off. Other functions must stay low as long as the transmitter key keeps it low (ON).



Item #618 - panel mounted push button switch.

