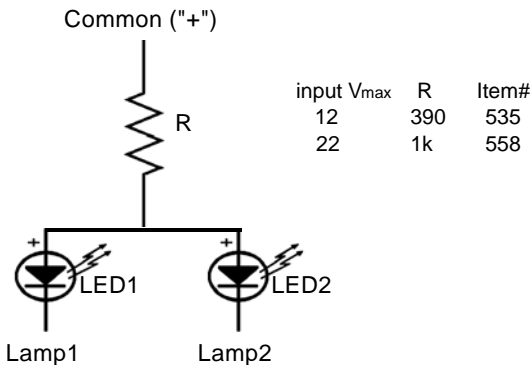


Crossbuck wiring using LED's



LED's are current type devices, not voltage devices like light bulbs. Therefore you have to use a limiting resistor to operate the LED's. Otherwise you will burn out the LED's. Since only one LED is on at a time, only one limiting resistor is required for one crossbuck. Values shown are for RED LED, item 532.

The "input V_{max} " shown is for the operating voltage of the Flasher (item 367), Flasher-DT (item 549), or Grade Crossing Controller with Bell Sound (item 587) units.

DALLEE
ELECTRONICS, Inc.

246 W. Main St.
Leola, PA 17540
(717) 661-7041
www.dallee.com