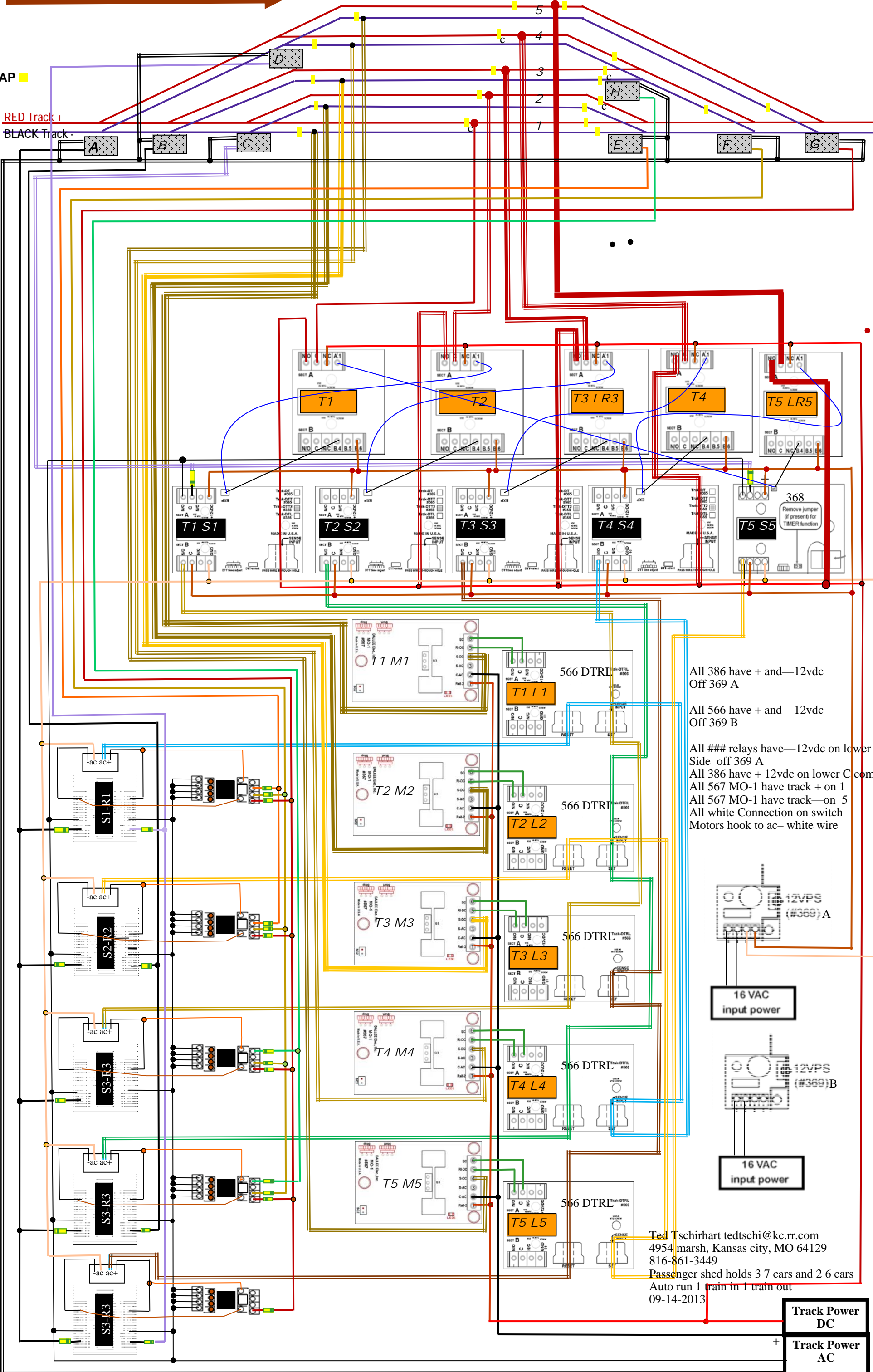


Train travel →

SENCE TRACKS

GAP

RED Track +
BLACK Track -



All 386 have + and -12vdc
Off 369 A

All 566 have + and -12vdc
Off 369 B

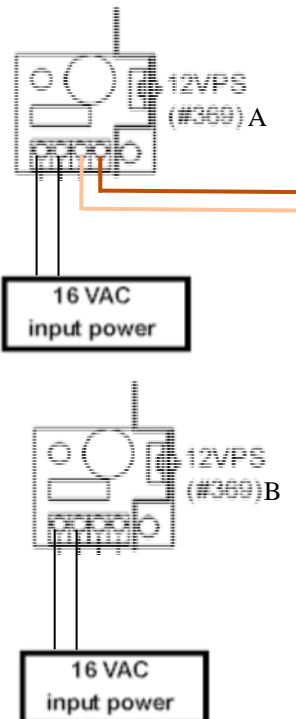
All ### relays have -12vdc on lower
Side off 369 A

All 386 have + 12vdc on lower C com

All 567 MO-1 have track + on 1

All 567 MO-1 have track - on 5

All white Connection on switch
Motors hook to ac- white wire



Ted Tschirhart tedschi@kc.rr.com
4954 marsh, Kansas city, MO 64129
816-861-3449
Passenger shed holds 3 7 cars and 2 6 cars
Auto run 1 train in 1 train out
09-14-2013

Track Power
DC
+
Track Power
AC